

# Lightning

Lightweight and easy to use, the Lightning is a good all around tension back banner stand. Snap lock graphic rails make changing the graphic fast and simple. The lightning comes complete with a budget carry bag.



## Features and Benefits

- Quick to assemble and easy to use
- Lightweight aluminium components
- Snap frame rails enable easy graphic changes
- Three piece bungee pole
- Includes carry bag
- Comes in anodized silver

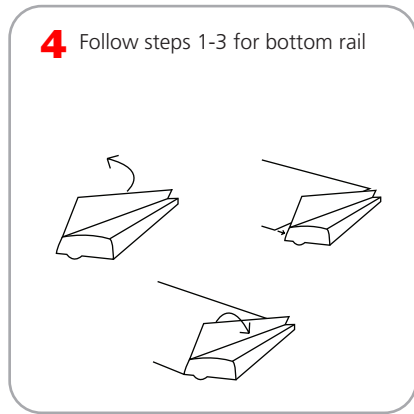
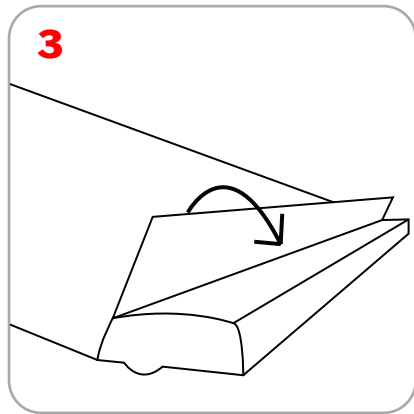
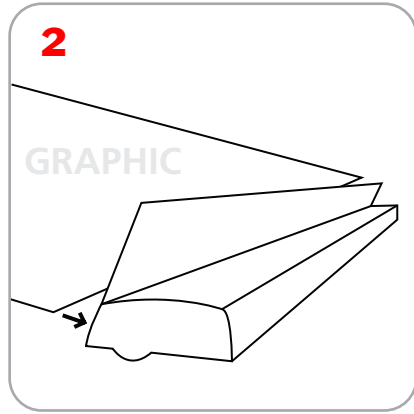
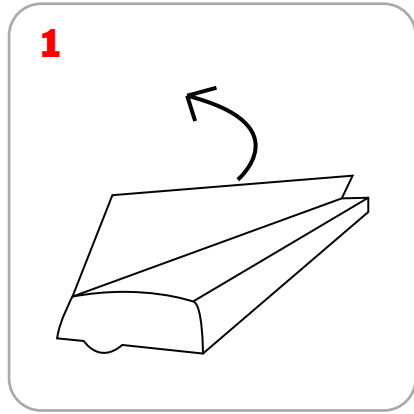
## Dimensions

Hardware Dimensions	Graphic Dimensions
<b>Base Dimensions::</b> 2.5"(h) x 31.625"(w) x 20.25"(d) approx. 63.5mm(h) x 803.275mm(w) x 514.35mm(d) approx.	<b>Graphic Dimensions:</b> 31" w x 77" h 787.4mm w x 1955.8mm h
<b>Pole Height:</b> 80.5" (2044.7mm)	
<b>Weight:</b> 3.65 lbs (1.66 kg) (including carry bag)	

## Additional Information

<b>Shipping Dimensions:</b> 35" x 6" x 6" 889mm x 152.4mm x 152.4mm	<b>Graphic:</b> Add 1/2" bleed to top and 1/2" (12.7mm) bleed to base of graphic
<b>Shipping Weight:</b> 6 lbs / 2.72kg	<b>Recommended substrate:</b> 13 oz. smooth vinyl or 7 oz. light cotton
	<b>Included in Kit:</b> Base rail, top rail, bungee pole and carry bag

## Lightning Graphic Attachment



## Lighting Assembly

